

Manual Transfer Panel



Congratulations !

**On the purchase of your new Transfer Panel,
another Ferraz Shawmut premium quality product.**

**MODEL
1-240**

Manual Transfer Panel

Installation Instructions

Model 1-240



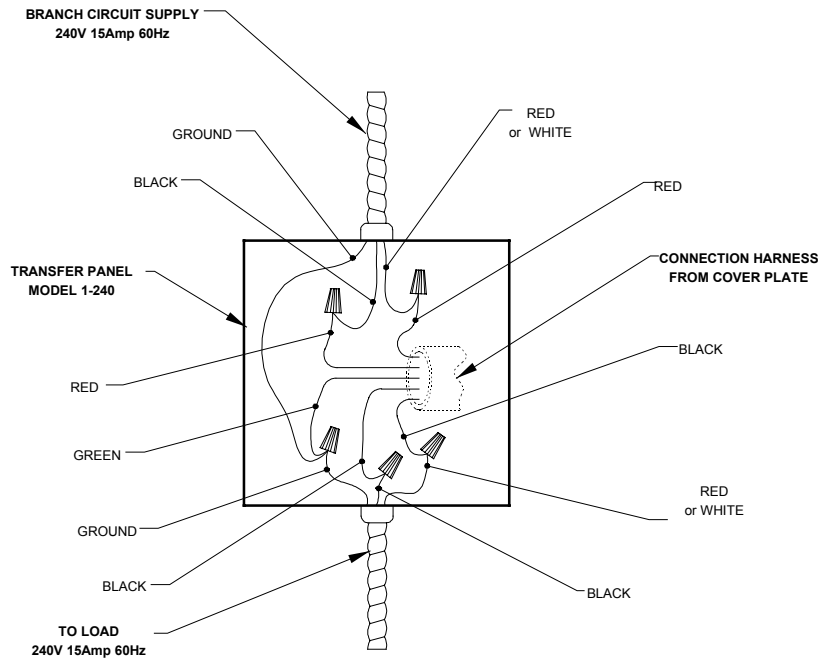
Warning: It is recommended that a certified electrician perform the installation of this equipment. Installer must be knowledgeable in Electrical Wiring Methods and local Electrical Codes. Installer should read and understand these instructions before installing these units. Manufacturer accepts no responsibility for accidents caused by Installer.

TURN OFF POWER. Main Circuit Breaker or Switch should be turned off to reduce the hazard of electrical shock. Remember the wires on the line side of the main circuit breaker are still live.

- 1) Identify the branch circuit you would like to connect the Transfer Panel into.
- 2) Turn off the selected branch circuit power at the main panel.
- 3) Locate the mounting position for the Transfer Panel e.g.; at the furnace, water pump etc. or near the Main Panel close to the branch circuit for the selected device. Loosen the 2 cover screws, remove the cover and secure the box using the 4 #10x3/4" screws supplied.
- 4) Remove the 1/2" knockouts from the top and bottom (or sides) of the box and install a Cable-to-box connector in each hole.
- 5) Disconnect and remove the branch circuit wires from the box. BLACK (*LINE*) & RED (*LINE*), and GROUND. **NOTE:** The Red wire may be White in some installations.
- 6) Install the cable (from step #5) into the bottom of the Transfer Panel box and tighten the cable connector.
- 7) Connect the BLACK wire (from cable above in step #6) to one of the BLACK wires from the Transfer Panel connection harness with a wire connector supplied. Refer to the connection diagram on page 3.
- 8) Connect the RED wire (from cable above in step #6) to the other BLACK wire from the Transfer Panel connection harness with a wire connector supplied. Refer to the connection diagram on page 3. **NOTE:** The Red wire may be White in some installations
- 9) Install a new branch circuit supply cable into the top of the Transfer Panel box and tighten the cable connector.
- 10) Connect the BLACK wire (from cable above in step #9) to one of the RED wires from the Transfer Panel connection harness with a wire connector supplied. Refer to connection diagram on page 3.
- 11) Connect the RED (or WHITE see note in step #5) wire (from cable above in step #9) to the other RED wire from the Transfer Panel connection harness with a wire connector supplied. Refer to the connection diagram on page 3.
- 12) Connect the GROUND wires from the cables in step #6 and #9 to the GREEN wire from the Transfer Panel connection harness with a wire connector supplied. Refer to the connection diagram on page 3.
- 13) Replace the Transfer Panel cover and tighten the cover screws.
- 14) Install the opposite end of the new supply cable back into the box (from step 5 above) and reconnect the BLACK wire (*LINE*), RED wire (*LINE*), and GROUND.
- 15) **Your Generator must be properly GROUNDED. Please refer to the Generator manual for instructions.**
- 16) **Contact Your Local Inspection Authority For Inspection**

Manual Transfer Panel

Connection Diagram For Model 1-240



To operate the Transfer Panel

- Plug the power cord into the Generator and then start it.
- Plug the power cord into the Transfer Panel
- Switch the Transfer Switch to the “GEN.” position.
- Your load is now being supplied from the Generator.

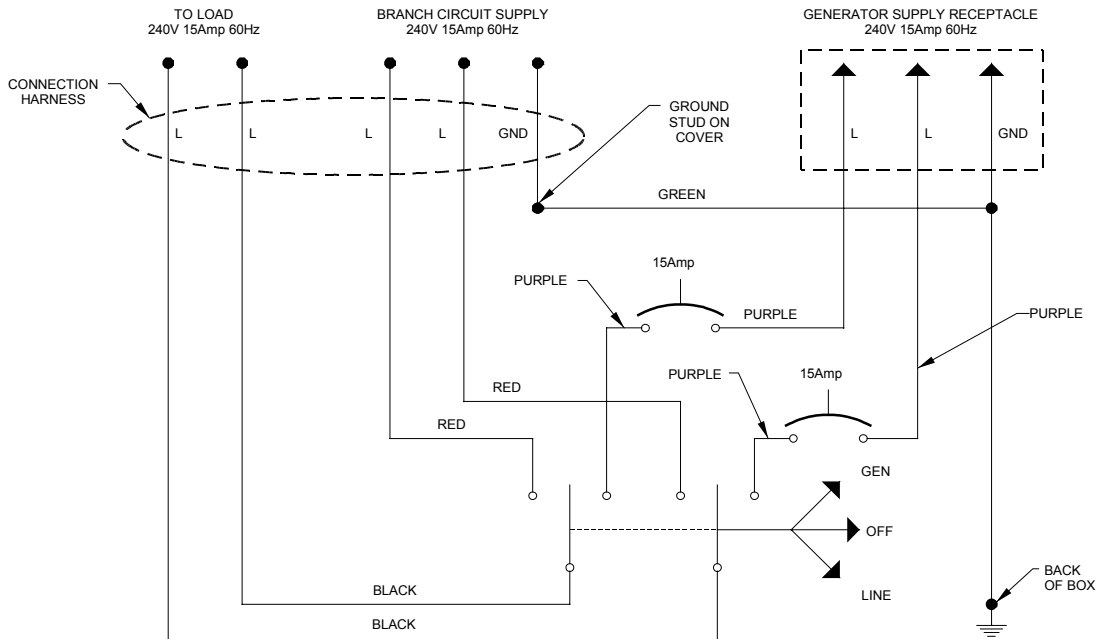
When Utility Power is back ON

- Switch the Transfer Switch to the “LINE” position.
- Your load is now being supplied from the Utility
- Shutdown the Generator
- **Unplug the Power Supply Cord from the Generator and Transfer Panel when not in use.**

* It is recommended to Test your Generator and Transfer Panel on a regular basis.

Manual Transfer Panel

Wiring Diagram for Model 1-240



INNOVATIVE SOLUTIONS IN CIRCUIT PROTECTION

Ins240E2-REV2

FERRAZ SHAWMUT CANADA Inc.
88 Horner Avenue, Toronto, Ontario, Canada M8Z 5Y3
TEL: Toronto- (416) 252 9381 · Montreal- (514) 748 5674 · Calgary- (403) 225 5988
1-800-AMP TRAP 1 800-267 8727 • 1-800-FUSE FAX 1 800-387 3329

Manual Transfer Panel